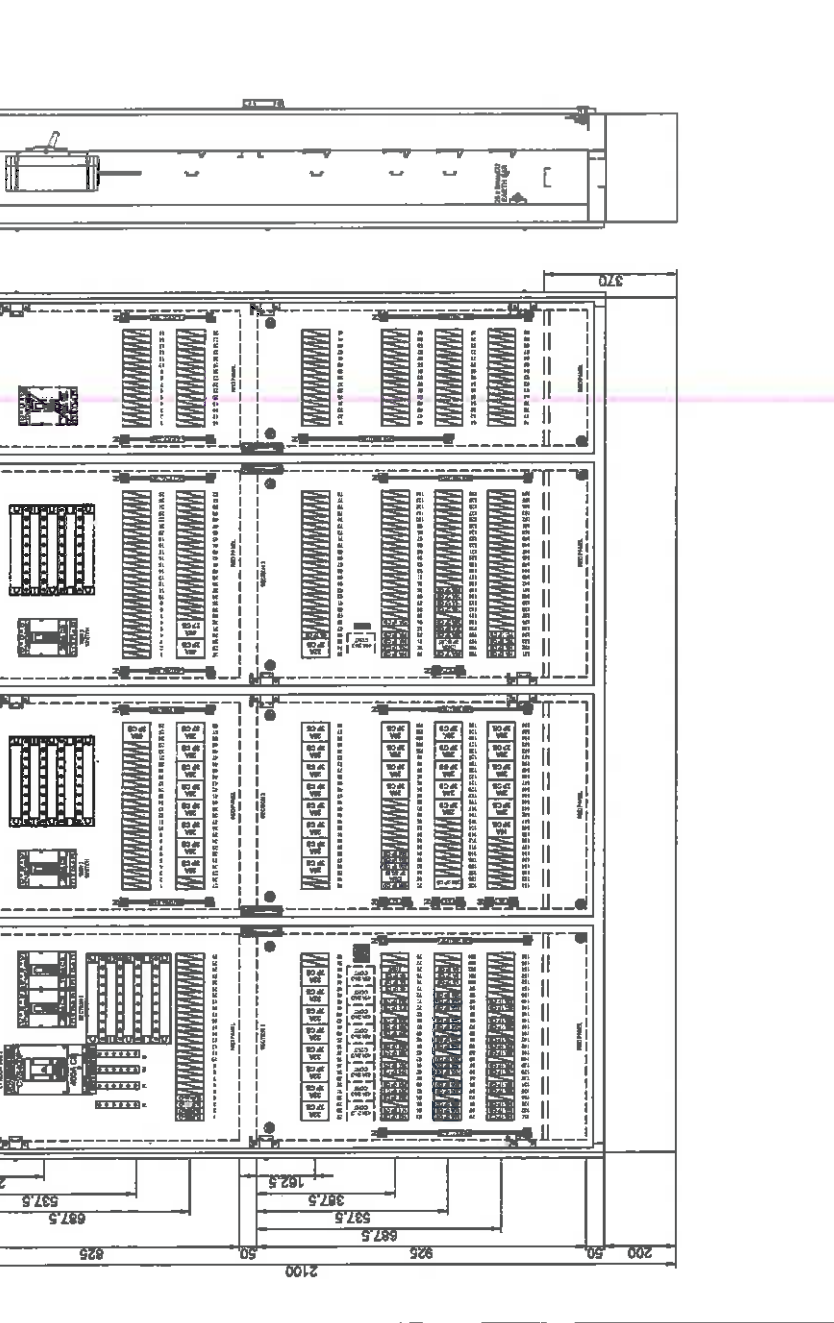


DELIVERY DATE		FOR EBM OFFICE USE		FOR INFORMATION	
		NAME	DATE		
		APPROVAL			
		TECHNICAL			
		EQUIP. ORDER			

MAKE OF EQUIPMENT	EQUIPMENT	PART NO.	QTY
SCHNEIDER	CVS630F TM600D 3P3D	ZZA LV563306	1
SCHNEIDER	CVS250B TM200D 3P3D	ZZA LV525302	3
SCHNEIDER	CVS160B TM160D 3P3D	ZZA LV516303	1
SCHNEIDER	15A 3P CB		1
SCHNEIDER	63A 3P CB		1
SCHNEIDER	63A 2P EL ISOL + 63A 1P CB		2
SCHNEIDER	40A 3P CB	A9F64340	2
SCHNEIDER	32A 3P CB	A9F64332	9
SCHNEIDER	32A 1P CB	A9F64132	1
SCHNEIDER	20A 3P CB	A9F64320	30
SCHNEIDER	20A 2P CB	A9F64220	1
SCHNEIDER	20A 1P CB	A9F64120	41
SCHNEIDER	16A 1P CB	A9F64116	20
SCHNEIDER	6A 1P CB	A9F64106	7
SCHNEIDER	40A 3NO CONT		9
	SD CLASS 2		4
	TERMINAL		16
	T/SWITCH		1

DATE	NO OF DOORS	EXTERIOR COLOR	PANEL COLOR GEN	PANEL COLOR UPS	STRUCTURE	FORM RATING	IP RATING	KA RATING	LOCKABLE DOORS	SPARE CAPACITY%	A/R	SERVICE ACCESS	CABLE ENTRY	CABLE EXIT	MAIN INCOMER	MAKE OF MCB'S	MATERIAL	LEGEND CARD SIZE	
	1x	ORANGE	RED	N/A	F/STANDING	N/A	IP 42	15KA	YES	YES	YR	FRONT	MULTI	TOP/BOTTOM	CVS630F	SCHNEIDER	GALV STEEL	A4	
	1x																		
	1x																		
	1x																		
	1x																		
	1x																		
	1x																		
	1x																		
	1x																		
	1x																		
	1x																		
	1x																		



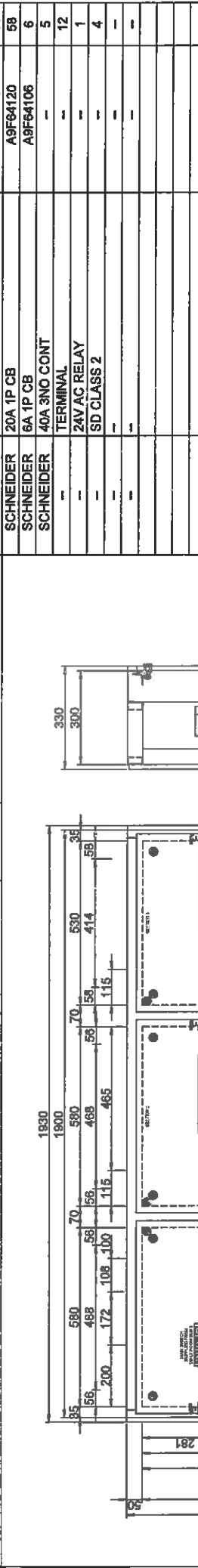
WHERE THERE ARE METERS INSTALLED THAT HAVE PROGRAMMING FACILITY ONLY THE CT RATIO WILL BE PROGRAMMED BY ELECTRICAL BOARD MANUFACTURER ONTO THE STANDARD PRELIMINARY FROM METER SUPPLIER. ALL OTHER PROGRAMMING REQUIREMENTS ARE NOT WITH OUR SCOPE OF WORK UNDERSTAND METER SUPPLIER. IF METERS ARE TO BE FREE ISSUED ELECTRICAL BOARD MANUFACTURER WILL NOT FIT METERS. ELECTRICAL BOARD MANUFACTURER WILL ALLOW SPACE AND MOUNTING FACILITIES FOR METERS.

SIZE	DATE	DRAWN	R/DATE	R/DRAWN
A4	10/05/17	ZANEL	18/05/17	ZANEL
FILE	DRG	QTY	REV	
41390	001	01	01	01

CON ENG :

 ELECTRICAL BOARD MANUFACTURING
 (PVT) LTD
 115 WESTWORTH ROAD
 WIDEN, WEST SUSSEX, BN11 1LW
 SOUTH SUSSEX, BN11 1LW
 Tel: 01323 813000 Fax: 01323 813001

DELIVERY DATE		FOR EBM OFFICE USE		FOR INFORMATION	
		NAME	DATE		
		APPROVAL			
		TECHNICAL	SF	11/05/17	
		EQUIP. ORDER			



MAKE OF EQUIPMENT	EQUIPMENT	PART NO.	QTY
SCHNEIDER	CVS630F 630A CB	-	1
SCHNEIDER	CVS250B TM2000 3P3D	ZZA_LV2525302	3
SCHNEIDER	63A 4P EIL ISOL + 63A 3P CB	-	1
SCHNEIDER	63A 3P CB	-	1
SCHNEIDER	63A 2P EIL ISOL + 63A 1P CB	-	4
SCHNEIDER	40A 3P CB	A9F64340	2
SCHNEIDER	32A 3P CB	A9F64332	8
SCHNEIDER	40A 1P CB	-	1
SCHNEIDER	25A 1P CB	-	1
SCHNEIDER	20A 3P CB	A9F64320	33
SCHNEIDER	20A 1P CB	A9F64120	58
SCHNEIDER	60A 1P CB	A9F64106	6
SCHNEIDER	40A 3NO CONT	-	5
-	TERMINAL	-	12
-	24V AC RELAY	-	1
-	SD CLASS 2	-	4
-	-	-	-
-	-	-	-

NOTES	
DATE:	S/D REV: C/MARKUPS:
1x	ADDED:
1x	OMITTED:
1x	NO OF DOORS: THREE
1x	EXTERIOR COLOR: ORANGE
1x	PANEL COLOR GEN: RED
1x	PANEL COLOR UPS: N/A
1x	STRUCTURE: F/STANDING
1x	FORM RATING: N/A
1x	IP RATING: IP 42
1x	KA RATING: 15KA
1x	LOCKABLE DOORS: YES
1x	SPARE CAPACITY%: AIR
1x	SERVICE ACCESS: FRONT
1x	CABLE ENTRY: TOP/BOTTOM
1x	ADDED:
1x	OMITTED:
1x	MAIN INCOMER: CVS630F
1x	MAKE OF MCB'S: SCHNEIDER
1x	MATERIAL: GALV STEEL
1x	LEGEND CARD SIZE: A4
1x	CONTRACT DENEL
1x	LINE DIAG: Z0015-SC-05 REV. A
1x	DB NAME
1x	DB - EG2
1x	CUSTOMER: ONE ZERO
1x	CON ENG:
1x	ADDED:
1x	OMITTED:
1x	S/D REV: C/MARKUPS:

SIZE	DATE	DRAWN	R/DATE	R/DRAWN
A4	11/05/17	ZANEL	18/05/17	ZANEL
FILE	DRG	QTY	REV	REV
41590	002	01	01	01

ELECTRICAL BOARD MANUFACTURERS	
18 WESTWORTH ROAD	(075) 81
P.O. BOX 2222, PRETORIA 011	011 2222
TEL: 011 2222 2222	FAX: 011 2222 2222
WWW.ELECTRICALBOARDMANUFACTURERS.CO.ZA	

WHERE THERE ARE METERS INSTALLED THAT HAVE PROGRAMMING FACILITY, ONLY THE CT RATIO WILL BE PROGRAMMED BY ELECTRICAL BOARD MANUFACTURERS ONTO THE STANDARD PRELADED SCHEME FROM THE METER SUPPLIER. ALL OTHER PROGRAMMING REQUIREMENTS ARE NOT WITHIN OUR SCOPE OF WORK UNDERTAKEN AND NOT FOR OUR ACCOUNT. IF METERS ARE TO BE FREE ISSUED, ELECTRICAL BOARD MANUFACTURERS WILL NOT FIT METERS. ELECTRICAL BOARD MANUFACTURERS WILL ALLOW SPACE AND MOUNTING FACILITIES FOR METERS.

DELIVERY DATE		FOR EBM OFFICE USE		FOR INFORMATION	
		NAME	DATE		
APPROVAL					
TECHNICAL					
EQUIP. ORDER					

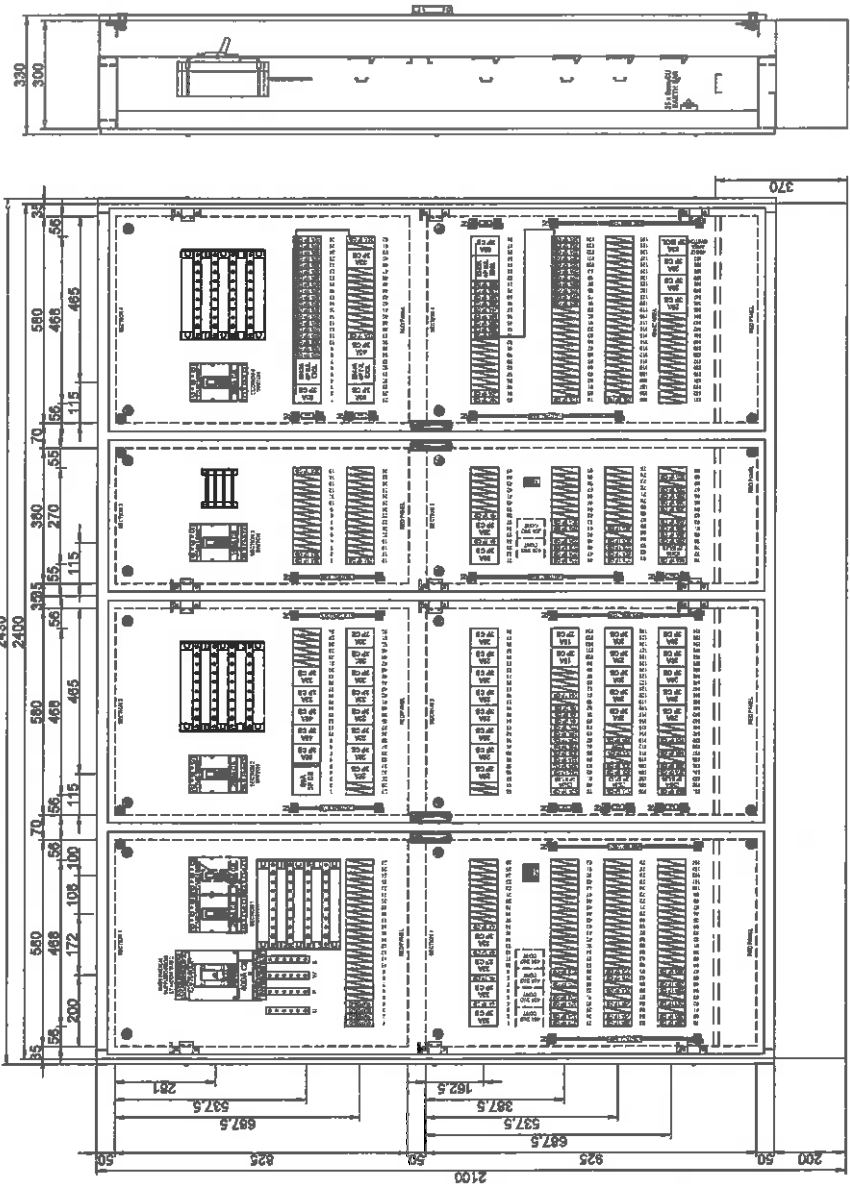
MAKE OF EQUIPMENT	EQUIPMENT	PART NO.	QTY
	TERMINAL		12
	T/SWITCH		1
	SD CLASS 2		4
	125A BUSBAR SET		1

MAKE OF EQUIPMENT	EQUIPMENT	PART NO.	QTY
SCHNEIDER	CVS400F 400A CB		1
SCHNEIDER	CVS250B TM200D 3P3D	ZZA LV525302	3
SCHNEIDER	CVS100B TM100D 3P3D		1
SCHNEIDER	80A 3P CB		1
SCHNEIDER	63A 3P ISOL	A9S65363	1
SCHNEIDER	63A 4P E/L ISOL + 63A 3P CB		3
SCHNEIDER	63A 3P CB		1
SCHNEIDER	63A 2P E/L ISOL + 63A 1P CB		4
SCHNEIDER	40A 3P CB	A9F64340	3
SCHNEIDER	32A 3P CB	A9F64332	7
SCHNEIDER	32A 1P CB	A9F64132	3
SCHNEIDER	20A 3P CB	A9F64320	30
SCHNEIDER	20A 1P CB	A9F64120	71
SCHNEIDER	15A 3P CB		2
SCHNEIDER	16A 1P CB	A9F64116	2
SCHNEIDER	10A 1P CB		4
SCHNEIDER	6A 1P CB	A9F64106	10
SCHNEIDER	40A 3NO CONT		4
SCHNEIDER	60A 3NO CONT		1
SCHNEIDER	25A 3NO CONT		1



NOTES

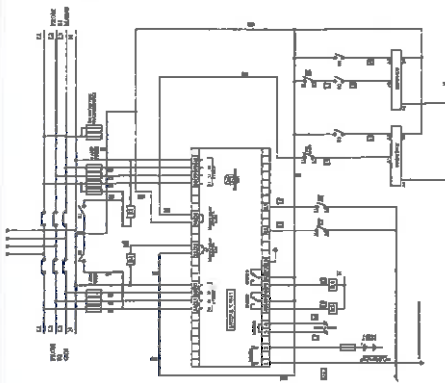
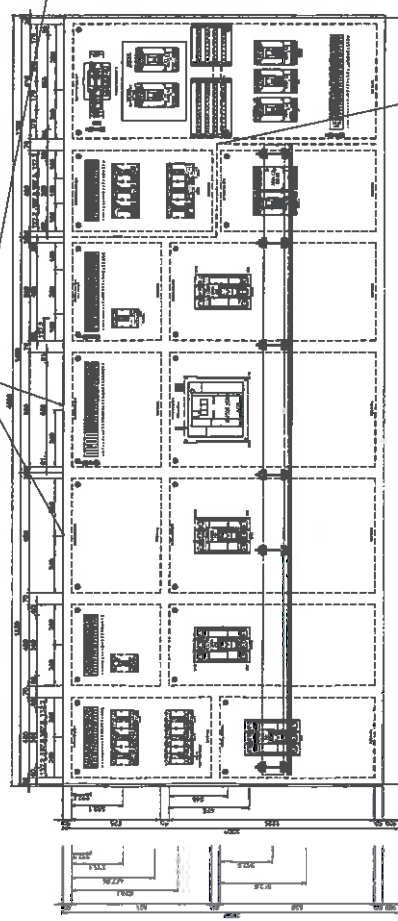
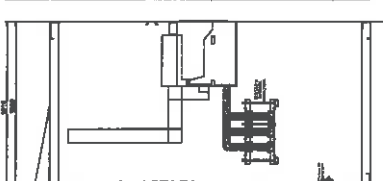
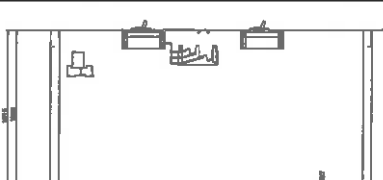
DATE:	SLD REV:	C MARKUPS:
	OMITTED:	
1x	ADDED:	NO OF DOORS : FOUR
1x		EXTERIOR COLOR : ORANGE
1x		PANEL COLOR GEN: RED
1x		PANEL COLOR UPS: N/A
1x		STRUCTURE : F/STANDING
1x		FORM RATING: N/A
1x		IP RATING: IP 42
1x		KA RATING: KA
1x		LOCKABLE DOORS: YES
1x		SPARE CAPACITY%: AIR
1x		SERVICE ACCESS : FRONT
DATE:	SLD REV:	C MARKUPS:
	OMITTED:	
1x	ADDED:	CABLE ENTRY : TOP
1x		CABLE EXIT : MULTI
1x		MAIN INCOMER : CVS400F
1x		MAKE OF MCB'S : SCHNEIDER
1x		MATERIAL : GALV STEEL
1x		LEGEND CARD SIZE : A4
1x		CONTRACT
1x		DENEL
1x		LINE DIAG : 20015-SC-02 REV A
DATE:	SLD REV:	C MARKUPS:
	OMITTED:	
1x	ADDED:	DB NAME
1x		DB - EG3
1x		CUSTOMER:
1x		ONE ZERO



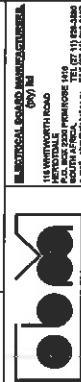
ELECTRICAL BOARD MANUFACTURERS
 118 MORTWORTH ROAD
 GUY MI
 P.O. BOX 255 PEARCEVILLE 016
 TEL: 07 11 983446
 FAX: 07 11 983447
 Email: info@ebm.com.au

SIZE	DATE	DRAWN	R/DATE	R/DRAWN
A4	11/05/17	ZANEL	18/05/17	ZANEL
FILE	DRG	QTY	REV	
41590	003	01	01	01

WHERE THERE ARE METERS INSTALLED THAT HAVE PROGRAMMING FACILITY, ONLY THE CT RATIO WILL BE PROGRAMMED BY ELECTRICAL BOARD MANUFACTURERS ONTO THE STANDARD PRELOADED SCHEME FROM THE METER SUPPLIER. ALL OTHER PROGRAMMING REQUIREMENTS ARE NOT WITHIN OUR SCOPE OF WORK UNDERTAKEN AND NOT FOR OUR ACCOUNT. IF METERS ARE TO BE METER (SERIES), ELECTRICAL BOARD MANUFACTURERS WILL NOT FIT METERS. ELECTRICAL BOARD MANUFACTURERS WILL ALLOW SPACE AND MOUNTING FACILITIES FOR METERS.

DELIVERY DATE		FOR EBM OFFICE USE		FOR INFORMATION	
		NAME	DATE		
		APPROVAL			
		TECHNICAL	SF	15/05/17	
		EQUIP. ORDER			
<p>NO. 15 REV 07 1. FIDUCIARY 400A CB MOTO 2. DEEP-SEA CONTROL</p>    					
MAKE OF EQUIPMENT	EQUIPMENT	PART NO.	QTY		
SCHNEIDER	MVS25 2500A CB	-	1		
SCHNEIDER	NS1600N 1600A CB	-	1		
SCHNEIDER	NS1250N 1250A CB	-	1		
SCHNEIDER	NS1000N 1000A CB	-	1		
SCHNEIDER	NS800N 800A CB	-	1		
SCHNEIDER	CVS630F 600A CB	-	1		
SCHNEIDER	CVS400F 400A CB	-	3		
SCHNEIDER	NSX400F 400A CB CHANGE OGER	-	1		
SCHNEIDER	CVS250B 250A CB	-	4		
SCHNEIDER	CVS160B 160A CB	-	1		
SCHNEIDER	CVS100B 80A CB	-	1		
SCHNEIDER	60A 3P CB	-	1		
SCHNEIDER	40A 1P CB	-	1		
SCHNEIDER	20A 1P CB	-	2		
-	SD CLASS 1 (4P)	-	1		
-	DEEP SEA CONTROL	-	1		
-	FUSE	-	10		
-	TERMINAL	-	3		
-	220V AC RELAY	-	4		
-	NSX400F 400A CB MOTO	-	1		
-	-	-	-		
<p>NOTES</p> <p>DATE: SLD REV: C MARKUPS:</p> <p>ADDED: OMITTED:</p> <p>1x 1x 1x 1x 1x 1x 1x 1x 1x 1x</p> <p>DATE: SLD REV: C MARKUPS:</p> <p>ADDED: OMITTED:</p> <p>1x 1x 1x 1x 1x 1x 1x 1x</p>					
<p>NO OF DOORS: N/A EXTERIOR COLOR: ORANGE PANEL COLOR GEN: RED PANEL COLOR UPS: N/A STRUCTURE: F/STANDING FORM RATING: N/A IP RATING: IP 42 KA RATING: 20KA LOCKABLE DOORS: N/A SPARE CAPACITY%: A/R SERVICE ACCESS: FRONT/REAR CABLE ENTRY: TOP CABLE EXIT: TOP/BOTTOM MAIN INCOMER: MVS25 MAKE OF MCB'S: SCHNEIDER MATERIAL: GALV STEEL LEGEND CARD SIZE: A4</p> <p>CONTRACT DENEL</p> <p>LINE DIAG: Z0015-SC-03 REV. A</p> <p>DB NAME DB - OLD PRODUCTION</p> <p>CUSTOMER: ONE ZERO</p> <p>CON ENG: -</p> <p>SIZE: A2 DATE: 15/05/17 FILE: 41590 DRAWN: 005 R/DATE: 18/05/17 ZANEL: QTY REV: 01 OF 01 R/DATE: 02</p>					

WHERE THERE ARE METERS INSTALLED THAT HAVE PROGRAMMING FACILITY, ONLY THE CT RATIO WILL BE PROGRAMMED BY ELECTRICAL BOARD MANUFACTURES ONTO THE STANDARD PRELOADED SCHEME FROM THE METER SUPPLIER. ALL OTHER PROGRAMMING REQUIREMENTS ARE NOT WITHIN OUR SCOPE OF WORK UNDERTAKEN AND NOT FOR OUR ACCOUNT. IF METERS ARE TO BE FREE ISSUED, ELECTRICAL BOARD MANUFACTURES WILL NOT FIT METERS. ELECTRICAL BOARD MANUFACTURES WILL ALLOW SPACE AND MOUNTING FACILITIES FOR METERS.



111 WINDMOUTH ROAD
 WINDMOUTH, SA
 AUSTRALIA
 TEL: 08 8338 3300
 FAX: 08 8338 3307

SYMBOLIC LEGEND	
	EARTH LEAKAGE
	1 PHASE
	2 PHASE
	3 PHASE
	CONTROL SWITCH
	CIRCUIT BREAKER
	ISOLATOR
	DISTRIBUTION

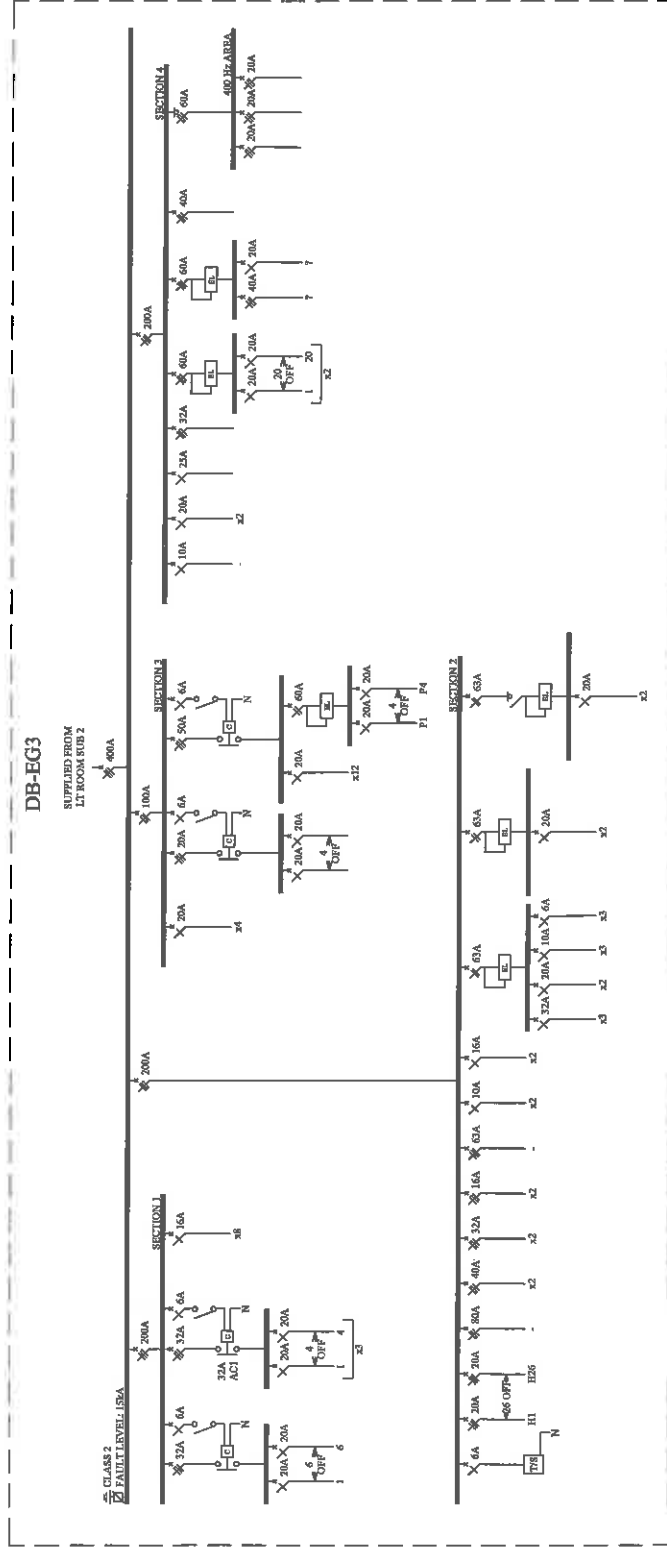
DISTRIBUTION BOARD CONSTRUCTION & ELECTRICAL SPECIFICATION									
INSULATED	INSULATED	INSULATED	INSULATED	INSULATED	INSULATED	INSULATED	INSULATED	INSULATED	INSULATED
WALL MOUNTED	WALL MOUNTED	WALL MOUNTED	WALL MOUNTED	WALL MOUNTED	WALL MOUNTED	WALL MOUNTED	WALL MOUNTED	WALL MOUNTED	WALL MOUNTED
1 PHASE	1 PHASE	1 PHASE	1 PHASE	1 PHASE	1 PHASE	1 PHASE	1 PHASE	1 PHASE	1 PHASE
2 PHASE	2 PHASE	2 PHASE	2 PHASE	2 PHASE	2 PHASE	2 PHASE	2 PHASE	2 PHASE	2 PHASE
3 PHASE	3 PHASE	3 PHASE	3 PHASE	3 PHASE	3 PHASE	3 PHASE	3 PHASE	3 PHASE	3 PHASE
CONTROL SWITCH	CONTROL SWITCH	CONTROL SWITCH	CONTROL SWITCH	CONTROL SWITCH	CONTROL SWITCH	CONTROL SWITCH	CONTROL SWITCH	CONTROL SWITCH	CONTROL SWITCH
CIRCUIT BREAKER	CIRCUIT BREAKER	CIRCUIT BREAKER	CIRCUIT BREAKER	CIRCUIT BREAKER	CIRCUIT BREAKER	CIRCUIT BREAKER	CIRCUIT BREAKER	CIRCUIT BREAKER	CIRCUIT BREAKER
ISOLATOR	ISOLATOR	ISOLATOR	ISOLATOR	ISOLATOR	ISOLATOR	ISOLATOR	ISOLATOR	ISOLATOR	ISOLATOR
DISTRIBUTION	DISTRIBUTION	DISTRIBUTION	DISTRIBUTION	DISTRIBUTION	DISTRIBUTION	DISTRIBUTION	DISTRIBUTION	DISTRIBUTION	DISTRIBUTION

NO.	DATE	REVISION	BY
01	2017-04-25	ISSUED FOR INFORMATION	A.P

CABLE No.	CONDUCTOR SIZE IN mm ²	EARTH WIRE SIZE IN mm ²
1	240mm ² x 4 CORE	240mm ²
2	180mm ² x 4 CORE	180mm ²
3	120mm ² x 4 CORE	120mm ²
4	90mm ² x 4 CORE	90mm ²
5	70mm ² x 4 CORE	70mm ²
6	50mm ² x 4 CORE	50mm ²
7	35mm ² x 4 CORE	35mm ²
8	25mm ² x 4 CORE	25mm ²
9	16mm ² x 4 CORE	16mm ²
10	10mm ² x 4 CORE	10mm ²
11	6mm ² x 4 CORE	6mm ²
12	4mm ² x 4 CORE	4mm ²
13	2.5mm ² x 4 CORE	2.5mm ²
14	4mm ² WIRE	
15	2.5mm ² WIRE	

NOTE:

- ALL CABLES TO BE PVC INSULATED AND TO BEAR THE S.A.B.S
- ALL CABLES TO BE STANDED COPPER
- PHASES TO BE COLOUR CODED RED, WHITE, BLUE AND BLACK
- INDICATES 2x CABLES IN PARALLEL
- CASCADING CURRENT LIMITING TYPE CIRCUIT BREAKERS TO BE USED TO ENSURE FAULT LEVELS SHOWN IS ACHIEVED



PROJECT: DENEL

DRAWING DESCRIPTION: DB-EG3 SCHEMATIC

ONEZERO CONSULTING
 (T) 0861 ONEZERO (6639376)
 (F) +27 11 646 4588
 drawing@onezero.co.za
 11 Fynbos Farm V, Durbanpark
 33 Wood Street, 2001
 Fouriesburg, South Africa
 www.onezero.co.za

DATE:	2015-08-22	PROJECT NUMBER:	Z0015-SC-02
DESIGNED BY:	A.P	SCALE:	N/A
CHECKED BY:	A.P	DRAWING SIZE:	A3
APPROVED BY:	A.P	REVISION NO.:	01
ISSUED BY:	A.P	REVISION NO.:	01
REVISION NO.:	01	REVISION NO.:	01
ISSUED BY:	A.P	REVISION NO.:	01
REVISION NO.:	01	REVISION NO.:	01

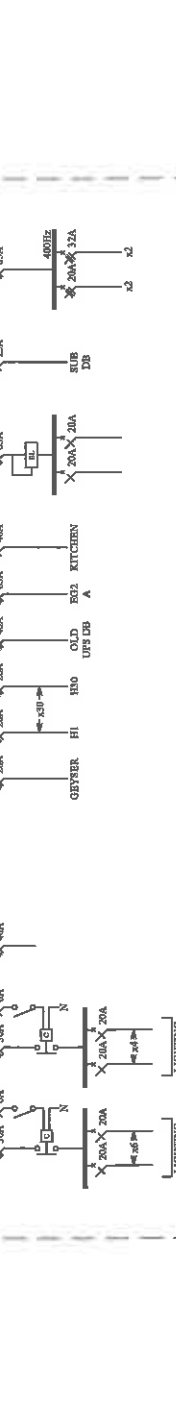
REV.	DATE	DESCRIPTION	BY
0A	2017-04-25	ISSUED FOR INFORMATION, A.P	

CABLE No.	CONDUCTOR SIZE IN mm²	EARTH WIRE SIZE IN mm²
1	2.5mm² x 4 CORE	240mm²
2	15mm² x 4 CORE	185mm²
3	150mm² x 4 CORE	150mm²
4	120mm² x 4 CORE	120mm²
5	95mm² x 4 CORE	95mm²
6	70mm² x 4 CORE	70mm²
7	50mm² x 4 CORE	50mm²
8	35mm² x 4 CORE	35mm²
9	25mm² x 4 CORE	25mm²
10	16mm² x 4 CORE	16mm²
11	10mm² x 4 CORE	10mm²
12	6mm² x 4 CORE	6mm²
13	2.5mm² x 4 CORE	2.5mm²
14	4mm² WIRE	
15	2.5mm² WIRE	

- NOTES:
- ALL CABLES TO BE PVC INSULATED AND TO BEAR THE S.A.B.S
 - ALL CONDUCTORS TO BE STRANDED COPPER, THE COLOUR CODED RED, WHITE, BLUE AND BLACK.
 - INDICATES 2x CABLES IN PARALLEL.
 - GASOLING CURRENT LIMITING TYPE CIRCUIT BREAKERS TO BE USED TO EMPLOY FAULT LEVELS SHOWN IS ACHIEVED.

REVISION	DATE	DESCRIPTION	BY
0A	2017-04-25	ISSUED FOR INFORMATION, A.P	

NO.	DESCRIPTION	DATE	BY
1	REVISION		
2	REVISION		
3	REVISION		
4	REVISION		
5	REVISION		
6	REVISION		
7	REVISION		
8	REVISION		
9	REVISION		
10	REVISION		
11	REVISION		
12	REVISION		
13	REVISION		
14	REVISION		
15	REVISION		
16	REVISION		
17	REVISION		
18	REVISION		
19	REVISION		
20	REVISION		
21	REVISION		
22	REVISION		
23	REVISION		
24	REVISION		
25	REVISION		
26	REVISION		
27	REVISION		
28	REVISION		
29	REVISION		
30	REVISION		
31	REVISION		
32	REVISION		
33	REVISION		
34	REVISION		
35	REVISION		
36	REVISION		
37	REVISION		
38	REVISION		
39	REVISION		
40	REVISION		
41	REVISION		
42	REVISION		
43	REVISION		
44	REVISION		
45	REVISION		
46	REVISION		
47	REVISION		
48	REVISION		
49	REVISION		
50	REVISION		
51	REVISION		
52	REVISION		
53	REVISION		
54	REVISION		
55	REVISION		
56	REVISION		
57	REVISION		
58	REVISION		
59	REVISION		
60	REVISION		
61	REVISION		
62	REVISION		
63	REVISION		
64	REVISION		
65	REVISION		
66	REVISION		
67	REVISION		
68	REVISION		
69	REVISION		
70	REVISION		
71	REVISION		
72	REVISION		
73	REVISION		
74	REVISION		
75	REVISION		
76	REVISION		
77	REVISION		
78	REVISION		
79	REVISION		
80	REVISION		
81	REVISION		
82	REVISION		
83	REVISION		
84	REVISION		
85	REVISION		
86	REVISION		
87	REVISION		
88	REVISION		
89	REVISION		
90	REVISION		
91	REVISION		
92	REVISION		
93	REVISION		
94	REVISION		
95	REVISION		
96	REVISION		
97	REVISION		
98	REVISION		
99	REVISION		
100	REVISION		



DB-EG 4
 FED FROM DB-EG 1
 ROOM SECTION 1
 600A

DB-EG 4
 FED FROM DB-EG 1
 ROOM SECTION 2
 200A

DENEL

PROJECT: DB EG-4 SCHEMATIC

DRAWING DESCRIPTION:

(T) 0661 ONEZERO (6639376)
 (+27) 11 646 4588
 draw@onezero.co.za
 111 Fouries Street, Sandton
 2146 Johannesburg, South Africa
 33 Fouries Street, 2001
 Sandton, Johannesburg
 South Africa
 Krugersdorp 1746, South Africa
 WWW.ONEZERO.CO.ZA

DRAWN: A. FREDRICKS DATE: 2016-02-22
 CHECKED: J. FREDRICKS SCALE: N/A
 APPROVED: [Signature] DRAWING NO.: A3
 REVISION NO.: 0A
 DRAWING NUMBER: Z0015-SC-07
 SHEET: 01

NO.	DESCRIPTION	DATE	BY
1	REVISION		
2	REVISION		
3	REVISION		
4	REVISION		
5	REVISION		
6	REVISION		
7	REVISION		
8	REVISION		
9	REVISION		
10	REVISION		
11	REVISION		
12	REVISION		
13	REVISION		
14	REVISION		
15	REVISION		
16	REVISION		
17	REVISION		
18	REVISION		
19	REVISION		
20	REVISION		
21	REVISION		
22	REVISION		
23	REVISION		
24	REVISION		
25	REVISION		
26	REVISION		
27	REVISION		
28	REVISION		
29	REVISION		
30	REVISION		
31	REVISION		
32	REVISION		
33	REVISION		
34	REVISION		
35	REVISION		
36	REVISION		
37	REVISION		
38	REVISION		
39	REVISION		
40	REVISION		
41	REVISION		
42	REVISION		
43	REVISION		
44	REVISION		
45	REVISION		
46	REVISION		
47	REVISION		
48	REVISION		
49	REVISION		
50	REVISION		
51	REVISION		
52	REVISION		
53	REVISION		
54	REVISION		
55	REVISION		
56	REVISION		
57	REVISION		
58	REVISION		
59	REVISION		
60	REVISION		
61	REVISION		
62	REVISION		
63	REVISION		
64	REVISION		
65	REVISION		
66	REVISION		
67	REVISION		
68	REVISION		
69	REVISION		
70	REVISION		
71	REVISION		
72	REVISION		
73	REVISION		
74	REVISION		
75	REVISION		
76	REVISION		
77	REVISION		
78	REVISION		
79	REVISION		
80	REVISION		
81	REVISION		
82	REVISION		
83	REVISION		
84	REVISION		
85	REVISION		
86	REVISION		
87	REVISION		
88	REVISION		
89	REVISION		
90	REVISION		
91	REVISION		
92	REVISION		
93	REVISION		
94	REVISION		
95	REVISION		
96	REVISION		
97	REVISION		
98	REVISION		
99	REVISION		
100	REVISION		

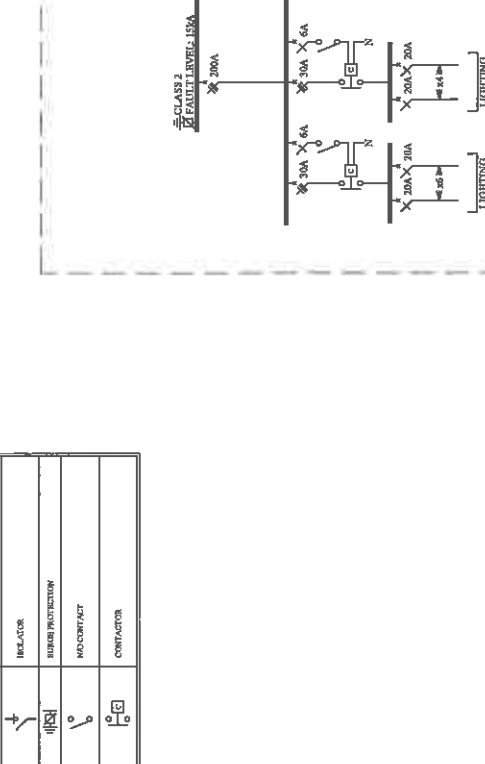
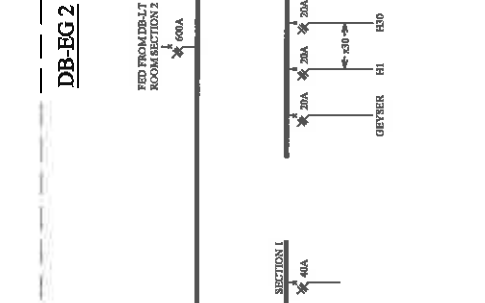
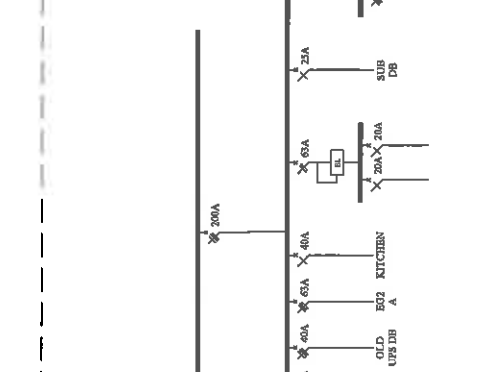
REV.	DATE	REVISION
0A	2017/04/25	ISSUED FOR INFORMATION.
		BY: A.P

CABLE NO.	CONDUCTOR SIZE IN mm ²	EARTH WIRE SIZE IN mm ²
1	240mm ² x 4 CORE	240mm ²
2	185mm ² x 4 CORE	185mm ²
3	120mm ² x 4 CORE	120mm ²
4	95mm ² x 4 CORE	95mm ²
5	70mm ² x 4 CORE	70mm ²
6	50mm ² x 4 CORE	50mm ²
7	35mm ² x 4 CORE	35mm ²
8	25mm ² x 4 CORE	25mm ²
9	16mm ² x 4 CORE	16mm ²
10	10mm ² x 4 CORE	10mm ²
11	6mm ² x 4 CORE	6mm ²
12	4mm ² x 4 CORE	4mm ²
13	2.5mm ² x 4 CORE	2.5mm ²
14	2mm ² WIRE	

REVISION	DATE	DESCRIPTION

- NOTE:
- ALL CABLES TO BE PVC INSULATED AND TO BEAR THE S.A.S.
 - ALL CABLES TO BE STANNED COPPER.
 - PHASES TO BE COLOR CODED RED, WHITE, BLUE AND BLACK.
 - INDICATES 2x CABLES IN PARALLEL.

WIRE	SIZE	USE
1	240mm ² x 4 CORE	MAIN FEED
2	185mm ² x 4 CORE	MAIN FEED
3	120mm ² x 4 CORE	MAIN FEED
4	95mm ² x 4 CORE	MAIN FEED
5	70mm ² x 4 CORE	MAIN FEED
6	50mm ² x 4 CORE	MAIN FEED
7	35mm ² x 4 CORE	MAIN FEED
8	25mm ² x 4 CORE	MAIN FEED
9	16mm ² x 4 CORE	MAIN FEED
10	10mm ² x 4 CORE	MAIN FEED
11	6mm ² x 4 CORE	MAIN FEED
12	4mm ² x 4 CORE	MAIN FEED
13	2.5mm ² x 4 CORE	MAIN FEED
14	2mm ² WIRE	GROUNDING



NO.	DATE	REVISION
0A	2017/04/25	ISSUED FOR INFORMATION.
		BY: A.P

PRODUCT: DENEL

DRAWING DESCRIPTION: DB EG-2 SCHEMATIC

(T) 0861 ONEZERO (6639376)
 (+27) 11 646 4588
 info@onezero.co.za
 15 Protea Avenue
 13 Helderberg Street, 2001
ONEZERO PO Box 175
 Krugersdorp Eastgate
 CONSULTING
 Krugersdorp 1746, South Africa
 WWW.ONEZERO.CO.ZA

NO.	DATE	REVISION
0A	2017/04/25	ISSUED FOR INFORMATION.
		BY: A.P

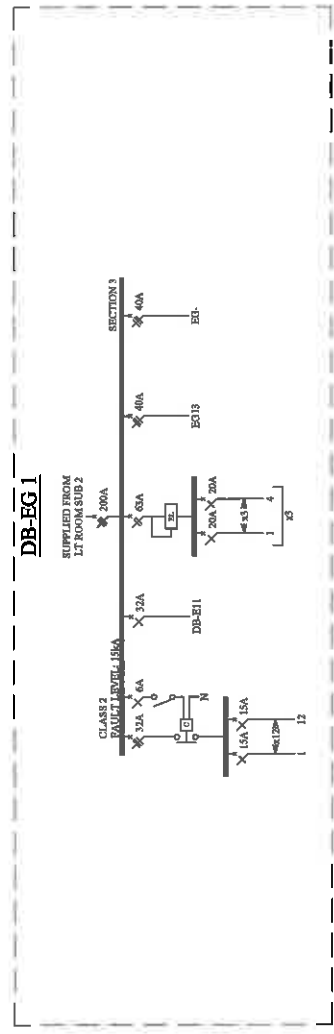
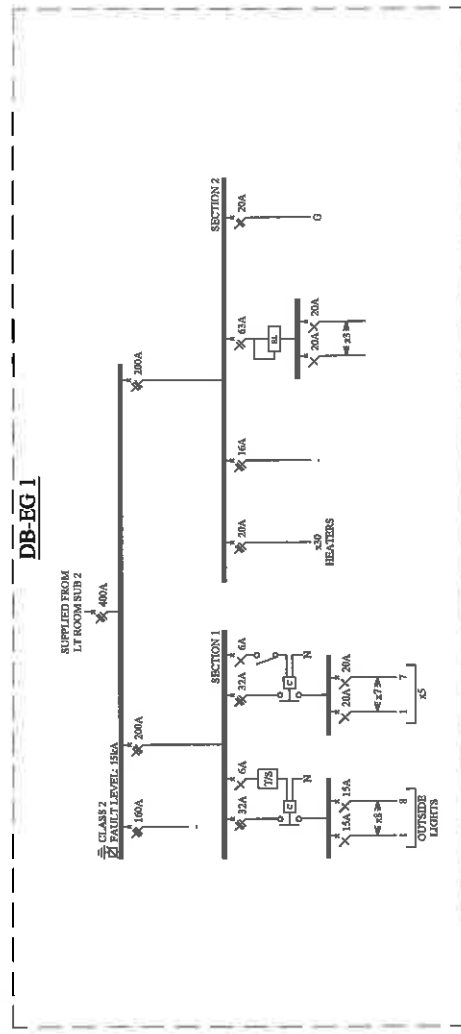
NO.	DATE	REVISION
0A	2017/04/25	ISSUED FOR INFORMATION.
		BY: A.P

SYMBOLIC DIAGRAM LEGEND	
	EARTH LEAKAGE
	1 PHASE
	2 PHASE
	3 PHASE
	CIRCUIT BREAKER
	ISOLATOR
	PHASE PROTECTION
	NO CONTACT
	CONTACTOR

DISTRIBUTION BOARD CONSTRUCTION & ELECTRICAL SPECIFICATION										
FINISHED	WEATHER PROOF	MATERIAL THICKNESS	FINISH	CABLE ENTRY	SEPARATED DEVIATIONS	NORMAL MOTOR CENTER	WIPER (mm)	HEIGHT (mm)	WIPER (mm)	TYPE
HALF FINISHED	DOOR PROOF	2mm	ETCH PROBE	TOP	SEPARATED DEVIATIONS	UPS SECTION CENTER	16mm	1200mm	16mm	TBC
FINISH	MINI DOOR	1.5mm	BRUSHED	TOP	EMERGENCY SECTION	OPERATOR SECTION CENTER	16mm	1200mm	16mm	TBC
FINISH	MINI DOOR	1.5mm	EPoxy COATED	GROUND PLATE	UPS SECTION 1	NORMAL SECTION INSIDE	16mm	1200mm	16mm	TBC
FINISH	MINI DOOR	1.5mm	EPoxy COATED	BACK	UPS SECTION 2	EMERGENCY SECTION INSIDE	16mm	1200mm	16mm	TBC
FINISH	MINI DOOR	1.5mm	EPoxy COATED	BACK	UPS SECTION 2	EMERGENCY SECTION INSIDE	16mm	1200mm	16mm	TBC
FINISH	MINI DOOR	1.5mm	EPoxy COATED	BACK	UPS SECTION 2	EMERGENCY SECTION INSIDE	16mm	1200mm	16mm	TBC
FINISH	MINI DOOR	1.5mm	EPoxy COATED	BACK	UPS SECTION 2	EMERGENCY SECTION INSIDE	16mm	1200mm	16mm	TBC
FINISH	MINI DOOR	1.5mm	EPoxy COATED	BACK	UPS SECTION 2	EMERGENCY SECTION INSIDE	16mm	1200mm	16mm	TBC
FINISH	MINI DOOR	1.5mm	EPoxy COATED	BACK	UPS SECTION 2	EMERGENCY SECTION INSIDE	16mm	1200mm	16mm	TBC

REV.	DATE	DESCRIPTION	BY
0A	2017-04-25	ISSUED FOR INFORMATION.	A.P.

CABLE SCHEDULE	
CABLE No.	CONDUCTOR SIZE
1	240mm ² x 4 CORE
2	180mm ² x 4 CORE
3	150mm ² x 4 CORE
4	120mm ² x 4 CORE
5	95mm ² x 4 CORE
6	70mm ² x 4 CORE
7	30mm ² x 4 CORE
8	25mm ² x 4 CORE
9	16mm ² x 4 CORE
10	10mm ² x 4 CORE
11	6mm ² x 4 CORE
12	4mm ² x 4 CORE
13	2.5mm ² x 4 CORE
14	1.5mm ² x 4 CORE
15	4mm ² WIRE
16	2.5mm ² WIRE



PROJECT: **DENEL**

DRAWING DESCRIPTION: **EG-1 SCHEMATIC**

ONEZERO CONSULTING

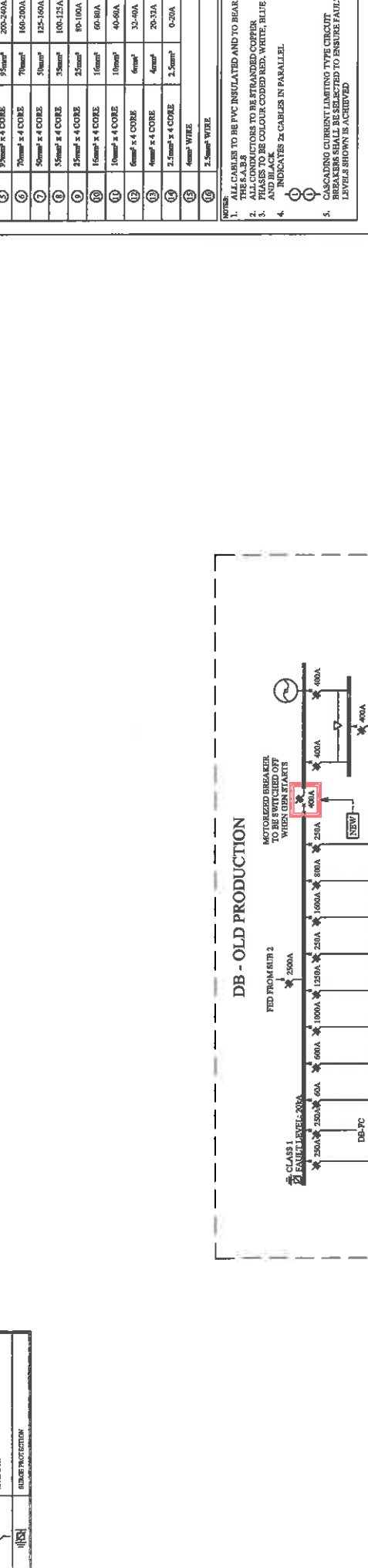
(T) 0861 ONEZERO (6639376)
 (F) +27 11 646 6318
 drawings@onezero.co.za
 1st Floor, Fernan V Braamput
 33 Hoofd Street, 2001
 Krugersdorp 1746, South Africa
 WWW.ONEZERO.CO.ZA

DRAWN	APPROVED	DATE	2016-02-22	DRAWING STATUS
DESIGNED	J. J. J. J.	SCALE	1:1	ISSUED
CHECKED	J. J. J. J.	REVISION	0A	REVISION
DATE	2016-02-22	REVISION NO.	0A	DATE
DRAWING NUMBER	Z0015-SC-04	SHEET	01	JANIT

REVISION		REVISION		REVISION	
REV.	DATE	DESCRIPTION	REV.	DATE	DESCRIPTION
0A	2017-04-25	ISSUED FOR INFORMATION.	A.P		

DISTRIBUTION MOUND CONSTRUCTION & ELECTRICAL SPECIFICATION										
SEWERAGE	WATER FACE	MATERIAL TYPE	FINISH	CABLES	SEPARATED IN WORKS	NORMAL SECTION OUTER	GLANDS	W/TH (mm)	TIC	BURIED LAYING-A
HALF RECESSED	EMBEDDED	ELECTRO GALVANISED	ET CR FINISH	TOP	NORMAL SECTION	UP SECTION OUTER	GLANDS	Ø100 (mm)	Ø100	FAULT LAYING-A
W/ FACE	EMBEDDED	Ø100	Ø100	BOTTOM	EMERGENCY SECTION	CONDUIT SECTION OUTER	GLANDS	Ø125 (mm)	Ø125	NEUTRAL (Ø80)
Ø100	EMBEDDED	Ø100	Ø100	GLAND PLATES	LAY SECTION 1	NORMAL SECTION INNER	GLANDS	Ø150 (mm)	Ø150	SCHEMATIC
Ø100	EMBEDDED	Ø100	Ø100	BACK	LAY SECTION 2	EMERGENCY SECTION INNER	GLANDS	Ø175 (mm)	Ø175	SCHEMATIC
Ø100	EMBEDDED	Ø100	Ø100		LAY SECTION 3	UP SECTION INNER	GLANDS	Ø200 (mm)	Ø200	SCHEMATIC
Ø100	EMBEDDED	Ø100	Ø100			DOWN SECTION	GLANDS	Ø250 (mm)	Ø250	SCHEMATIC
Ø100	EMBEDDED	Ø100	Ø100				GLANDS	Ø300 (mm)	Ø300	SCHEMATIC

SCHEMATIC DRAWING LEGEND	
	CABLE TRAY
	CABLE LADDER
	CABLE DUCT
	CABLE TRAY WITH COVER
	CABLE LADDER WITH COVER
	CABLE DUCT WITH COVER



NOTES:

- ALL CABLES TO BE PVC INSULATED AND TO BEAR THE S.A.B.S
- ALL PHASES TO BE RED ANDERSON CABLES
- PHASES TO BE COLOUR CODED RED, WHITE, BLUE AND BLACK
- INDICATES 2x CABLES IN PARALLEL
- LOADING CURRENT LIMITING TYPE CIRCUIT BREAKERS SHALL BE SIZED TO ENSURE FAULT LEVELS SHOWN IS ACHIEVED

PROJECT: DENEL

DRAWING DESCRIPTION: SCHEMATIC-03

ONEZERO (6519376)
 (P) +27 11 646 4388
 info@onezero.co.za
 1st Floor Forum V Building
 33 Hanford Street, 2001
 PO Box 175
 Featherbrook Estate
 Krugersdorp 1746, South Africa
 WWW.ONEZERO.CO.ZA

DESIGNER	APPROVED	DATE	SCALE	REVISION
		2018-09-22	A3	01

REV.	DATE	DESCRIPTION	REV.	DATE	DESCRIPTION
0A	2017-04-25	ISSUED FOR INFORMATION.	A.P		

DISTRIBUTION MOUND CONSTRUCTION & ELECTRICAL SPECIFICATION										
SEWERAGE	WATER FACE	MATERIAL TYPE	FINISH	CABLES	SEPARATED IN WORKS	NORMAL SECTION OUTER	GLANDS	W/TH (mm)	TIC	BURIED LAYING-A
HALF RECESSED	EMBEDDED	ELECTRO GALVANISED	ET CR FINISH	TOP	NORMAL SECTION	UP SECTION OUTER	GLANDS	Ø100 (mm)	Ø100	FAULT LAYING-A
W/ FACE	EMBEDDED	Ø100	Ø100	BOTTOM	EMERGENCY SECTION	CONDUIT SECTION OUTER	GLANDS	Ø125 (mm)	Ø125	NEUTRAL (Ø80)
Ø100	EMBEDDED	Ø100	Ø100	GLAND PLATES	LAY SECTION 1	NORMAL SECTION INNER	GLANDS	Ø150 (mm)	Ø150	SCHEMATIC
Ø100	EMBEDDED	Ø100	Ø100	BACK	LAY SECTION 2	EMERGENCY SECTION INNER	GLANDS	Ø175 (mm)	Ø175	SCHEMATIC
Ø100	EMBEDDED	Ø100	Ø100		LAY SECTION 3	UP SECTION INNER	GLANDS	Ø200 (mm)	Ø200	SCHEMATIC
Ø100	EMBEDDED	Ø100	Ø100			DOWN SECTION	GLANDS	Ø250 (mm)	Ø250	SCHEMATIC
Ø100	EMBEDDED	Ø100	Ø100				GLANDS	Ø300 (mm)	Ø300	SCHEMATIC

SCHEMATIC DRAWING LEGEND	
	CABLE TRAY
	CABLE LADDER
	CABLE DUCT
	CABLE TRAY WITH COVER
	CABLE LADDER WITH COVER
	CABLE DUCT WITH COVER